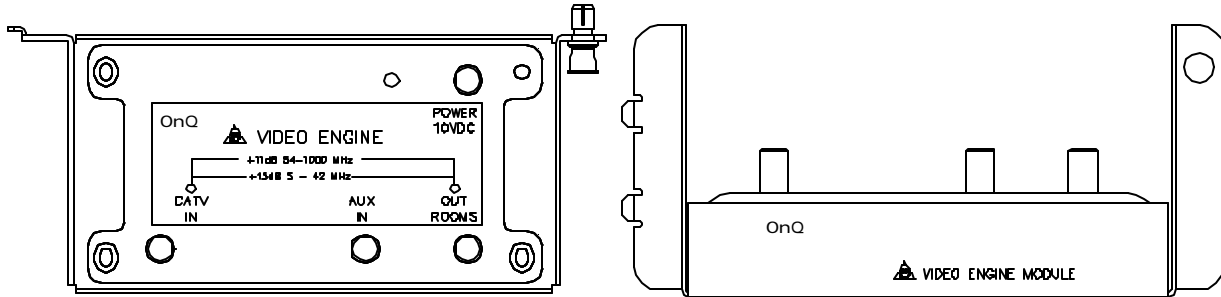


OnQ

OnQ Technologies, Inc.
P.O. Box 60907
Harrisburg, PA 17106
Phone: 800-321-2343

Instruction/Installation Sheet OnQ Video Engine Module IS-0078 Rev. O



364219-01
Figure 1

1. Introduction:

The OnQ Video Engine Module provides management and distribution of RF (Cable TV)/off air signals on coaxial cable throughout the house. When combined with an OnQ passive video module, the video engine allows for the combining and distribution of internal and CATV/off-air video signals. The modules can be mounted in OnQ Raised-rail or Flat-rail Service Center Enclosures.

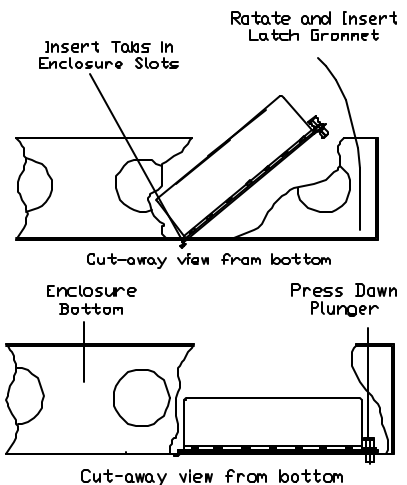
2. Description:

The Video Engine Module has vertical access, F-style fittings for connecting incoming and outgoing cables. The Video Engine Module has F-style fittings to connect a 10 VDC power source.

3. Installation:

A. Mounting in enclosure

- 1) Align tabs on module with slots on rail of enclosure.
- 2) Insert tabs by angling module away from the back of the enclosure and sliding forward.
- 3) Rotate the module and insert fasteners on module into corresponding holes on rail of enclosure. (Plunger must be in the pulled out position for fastener to engage hole.)
- 4) Push plunger in to lock module in place. Pull on module to assure module is locked properly in place.



Note: Do not bend cable in less than a 2-inch radius.

B. Service Connection – See Figure 3.

- 1) Mount the video engine directly below an OnQ passive video module.
- 2) Identify incoming service cable(s) and route to “CATV IN” and “AUX IN” fittings on module.
- 3) Attach an RG-6 F-connector to the cable. Connect to fitting on module and finger-tighten.
- 4) Attach supplied jumper from “OUT ROOM” on video engine to cable input of passive video module.
- 5) Connect power supply.

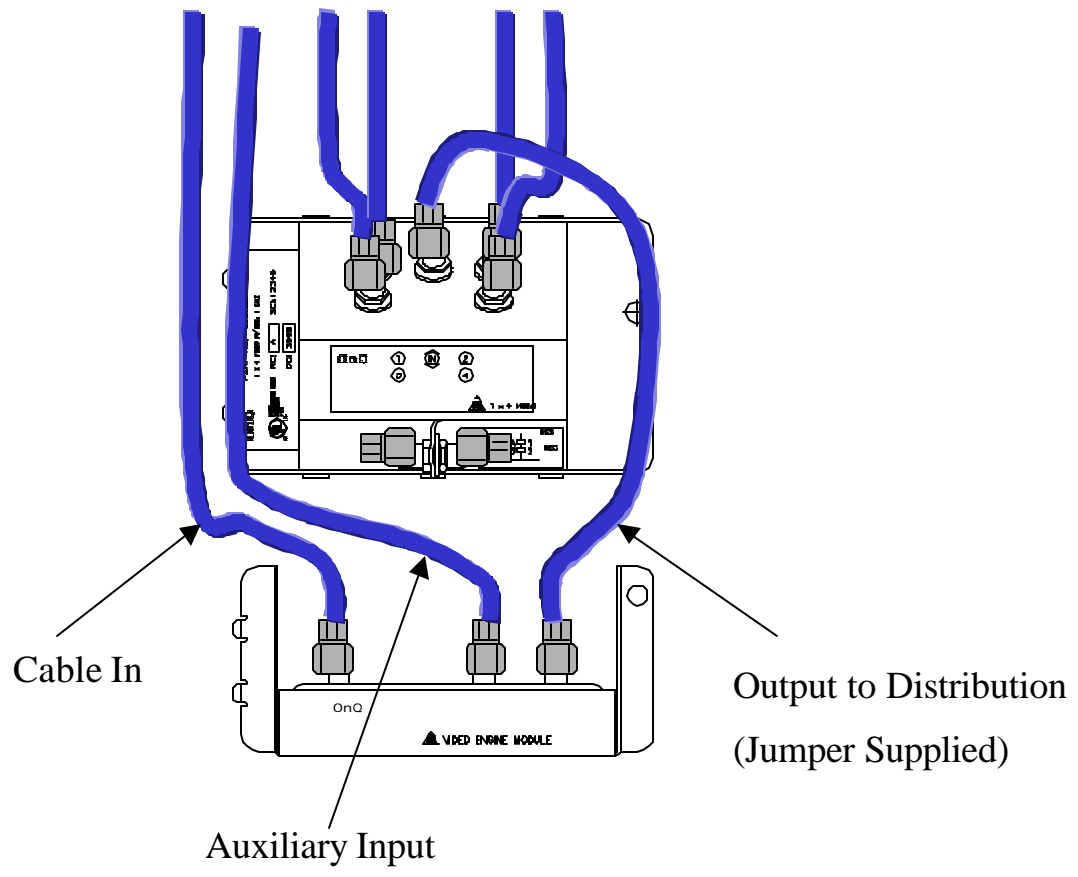


Figure 3