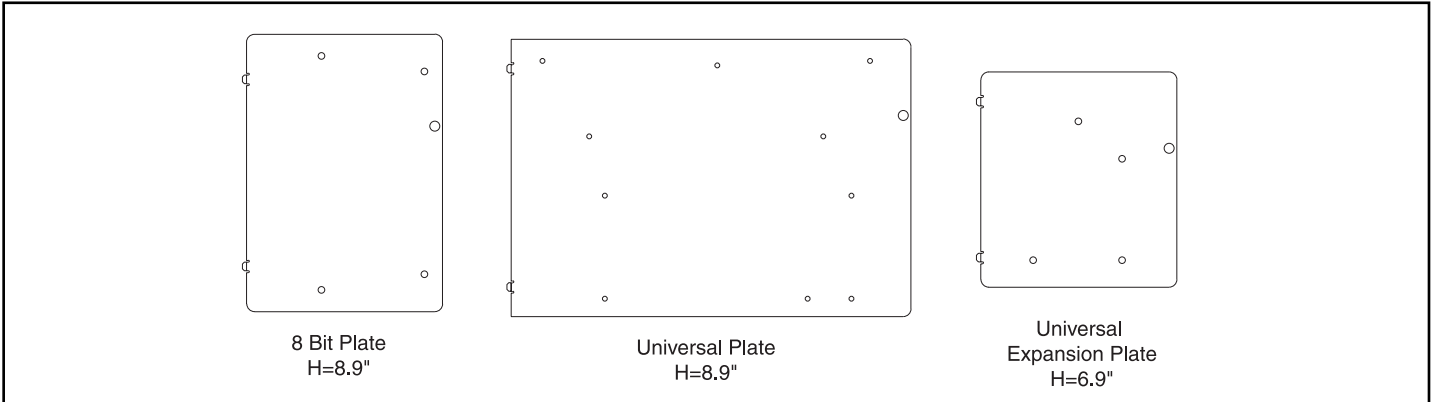




OnQ Technologies, Inc.
 P.O. Box 60907
 Harrisburg, PA 17106-0907
 800-321-2343
 www.onqtech.com

Installation/Instruction Sheet
OnQ ADEMCO Group
Mounting Plates
IS-0088 Rev. D



1. Introduction

The Mounting Plates are to be used with various Ademco Group control panels. The Mounting Plates are for installation of the Ademco control panel into the OnQ 14", 28" and 42" Tri-rail or Flat-rail Service Center Enclosures. The enclosures are UL listed as "Household Fire and Burglary Warning System Control Unit Enclosures", reference File Number S7106.

2. Descriptions

The Mounting Plates allow Ademco control panels to be utilized in an OnQ Structured Wiring System. Reference chart below:

OnQ Mounting Plate	Description	Ademco Panels	Mounting Plate Size
364379-08	Ademco 8 Bit Controller Mounting Plate	FA162C FA148C FA148CP FA168C Vista-15 Vista-15P Vista-20SE Vista-20P	Half Width - 9 Inch
364453-01	Ademco Universal Controller Mounting Plate	4140XM 4140XMPT 4140XMPT2 Vista-15 Vista-15P Vista-40 Vista-50 Vista-50P Vista-20SE Vista-20P Vista-100 Vista-128B Vista-128BP FA148C FA148CP FA1200C FA162C FA168C FA1300C FA1330C FA1220C FA1220CV FA1340C FA1600CA FA1600CB FA1660CB	Full Width - 9 Inch
364433-01	Universal Expansion Plate	Universal	Half Width - 7 Inch

3. Installation

- A. Enclosure Selection and Location
- 1) Select an enclosure size based on the panel size and other planned applications. Allow space for power supply, battery and cable management.
 - 2) Enclosure location must be consistent with panel environmental constraints and Security Installation practices and requirements.

B. Controller Panel Mounting

- 1) Handle controller panel with normal care for PCB assemblies. Observe and follow any anti-static warnings.
- 2) Position the controller panel over the mounting plate with the plate mounting tabs to the left and the plunger to the right. Align the controller panel mounting holes with the corresponding holes on the mounting plate. Using the threaded standoffs and screws (included w/plate), attach the standoffs to the panel in the appropriate holes.
- 3) Position the controller panel (with standoffs mounted in place) over the mounting plate and insert screws from the "backside" of the plate to secure the controller panel to the mounting plate. Refer to **Figure 3**.

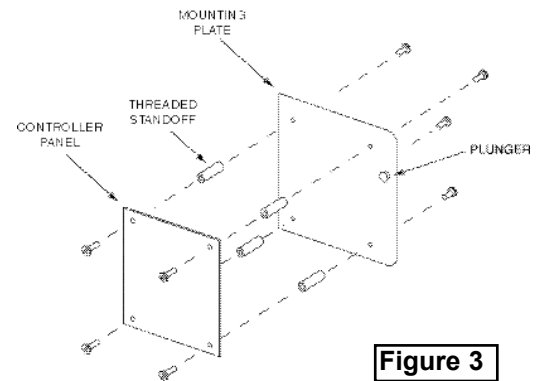


Figure 3

C. Mounting in Enclosure - Refer to **Figure 4**

- 1) Select position in enclosure. Allow room for battery and cable management.
- 2) Align tabs on assembly with slots on rail of enclosure.
- 3) Rotate the assembly and insert fasteners on assembly into corresponding holes on rail of enclosure. (Plunger must be in the pulled out position for fastener to engage hole).
- 4) Push plunger in to lock module in place. Pull on assembly to ensure assembly is locked properly in place.

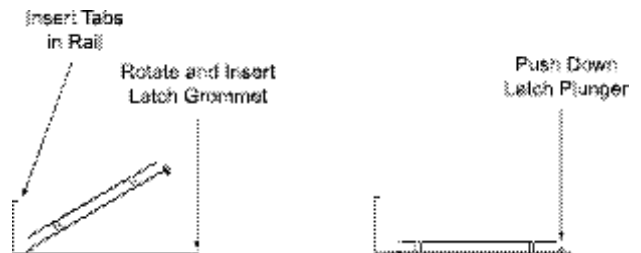


Figure 4

D. Security System Installation

Complete Panel installation by following security panel instructions.