

OnQ AnyPort® Designer Outlets



OnQ Technologies, Inc.
P.O. Box 60907
Harrisburg, PA 17106-0907
www.onqtech.com

IS-0101 Rev. O
Ref. P/N 100225-01



COMMUNICATION
CIRCUIT
ACCESSORY 73HM

OnQ AnyPort® designer outlets provide access to video, audio, telephone and data services.

AnyPort designer outlets consist of two pieces; the base plate containing from zero (0) to twelve (12) openings and a bezel that snaps onto the front of the base plate.

INSTALLATION

1. Run cables to the location of the outlet. Attach jacks and connector inserts to the cables as described in the instructions that accompany these items.
2. To assist in correctly orienting the outlet plate, the word "UP" has been molded into the rear of the plate.

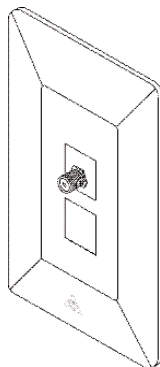
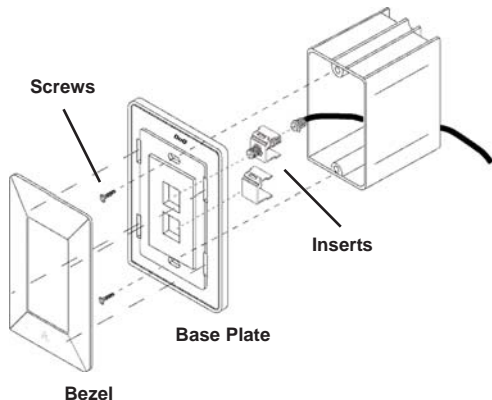
3. Inset the connector inserts and jacks into the outlet plate. Ensure these items are oriented properly.

NOTE: Attempting to install the jacks and connector inserts incorrectly may damage the outlet plate. Use "blank" inserts (OnQ 364294) to fill unused openings.

4. Once all connector inserts and jacks are snapped into the outlet plate, mount the outlet plate to the wall box or bracket using the two (2) mounting screws provided.

NOTE: Use caution when placing cable slack back into the wall.

5. Attach bezel to base plate to complete the installation procedure.



**Two Port
designer outlet
assembled**