

OnQ AnyPort® **Blank Insert**



OnQ Technologies, Inc.
P.O. Box 60907
Harrisburg, PA 17106-0907
www.onqtech.com

IS-0105 Rev. O
Ref. P/N 100225-05



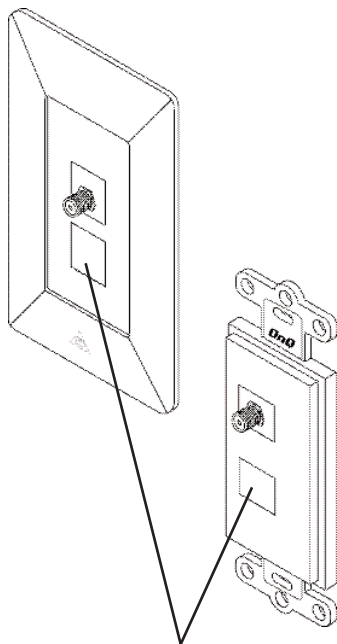
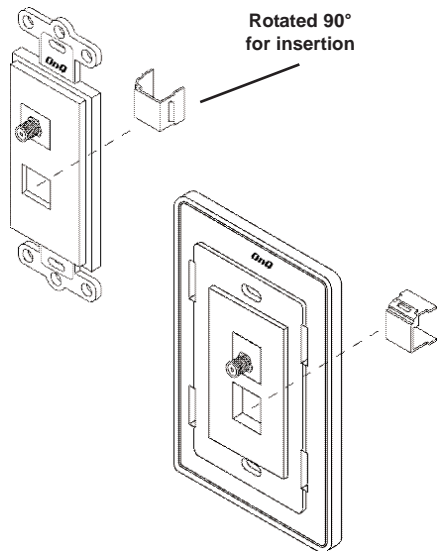
COMMUNICATION
CIRCUIT
ACCESSORY 73HM

OnQ AnyPort® blank inserts are inserted into outlet openings when the openings are not used.

INSTALLATION

For unused openings, insert a blank insert from the rear of the outlet to fill the opening.

NOTE: *Inserts used in the AnyPort decorator outlets must be rotated 90° for proper insertion.*



Blank inserts as shown in
AnyPort designer outlet
and decorator outlet