

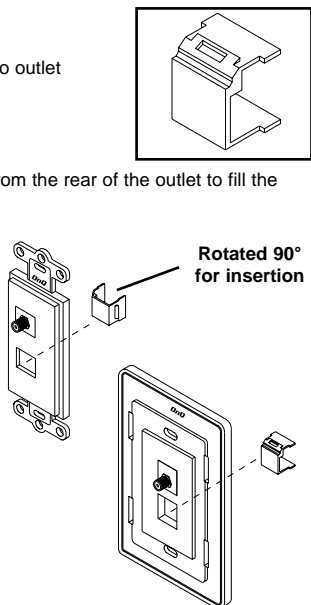
BLANK INSERTS

OnQ AnyPort® blank inserts are inserted into outlet openings when the openings are not used.

INSTALLATION

For unused openings, insert a blank insert from the rear of the outlet to fill the opening.

NOTE: Inserts used in the AnyPort decorator outlets must be rotated 90° for proper insertion.



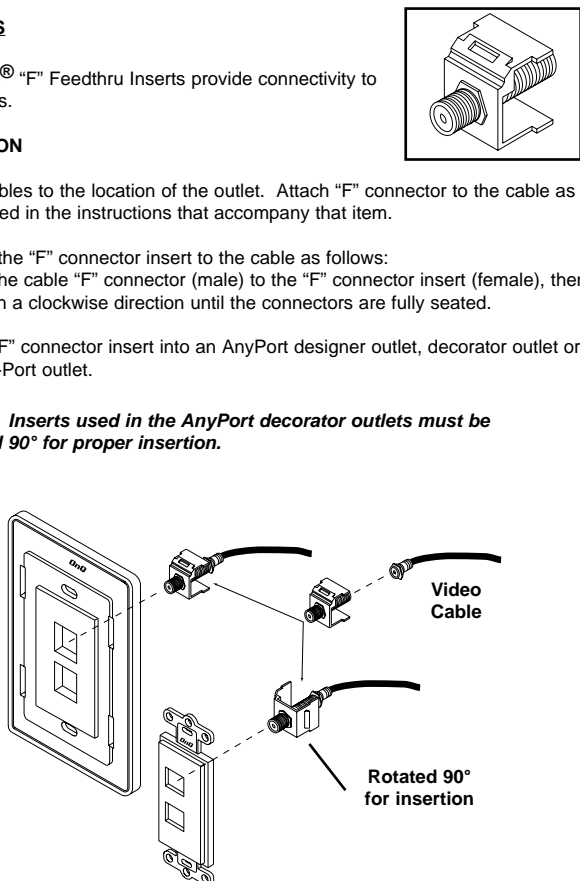
"F" INSERTS

OnQ AnyPort® "F" Feedthru Inserts provide connectivity to video services.

INSTALLATION

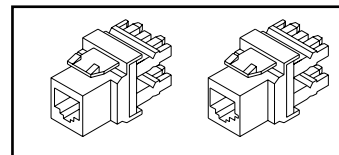
1. Run cables to the location of the outlet. Attach "F" connector to the cable as described in the instructions that accompany that item.
2. Attach the "F" connector insert to the cable as follows: Press the cable "F" connector (male) to the "F" connector insert (female), then rotate in a clockwise direction until the connectors are fully seated.
3. Insert "F" connector insert into an AnyPort designer outlet, decorator outlet or Hide-A-Port outlet.

NOTE: Inserts used in the AnyPort decorator outlets must be rotated 90° for proper insertion.



MODULAR JACK INSERTS

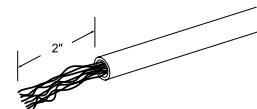
OnQ AnyPort® Modular Jacks provide connectivity to telephone and data services. The jacks accept four (4) pair twisted-pair cable with 24AWG solid conductors. (Maximum conductor insulation diameter is .050").



TERMINATION

Strip back only as much cable jacket as necessary to perform termination.

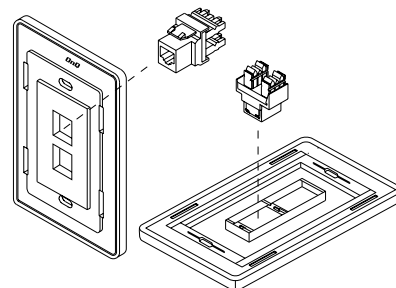
NOTE: Generally a strip length of 2" max. will meet most applications, depending on method of termination.



NOTE: Keep wire twist to within .50" of termination.

SETUP

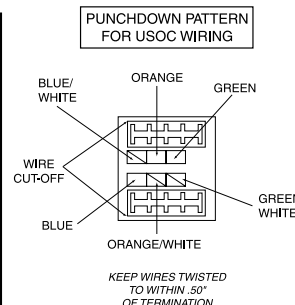
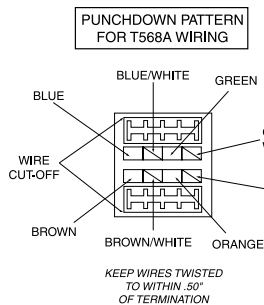
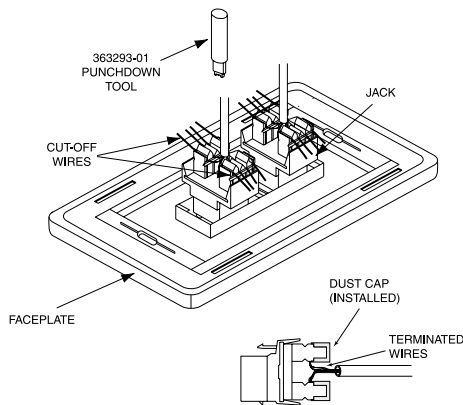
1. Snap jack into faceplate opening.
2. Place individual twisted pair cable conductors into the corresponding color coded slots (use min. slack while maintaining twist to within .50" of termination).



NOTE: Wire termination requires the use of OnQ Impact Tool 363293-01. Set impact setting for low-impact.

NOTE: Follow color code on label.

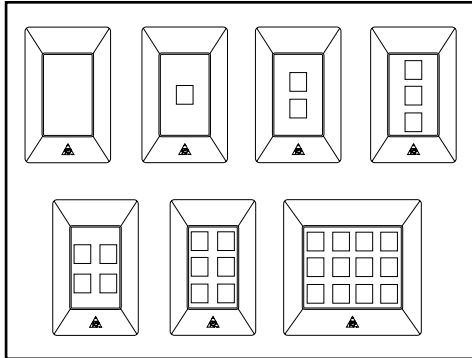
3. Use tool to punch wires down into slot and cut off excess. Remove loose wire pieces.
4. Install dust cap for strain relief.



DESIGNER OUTLETS

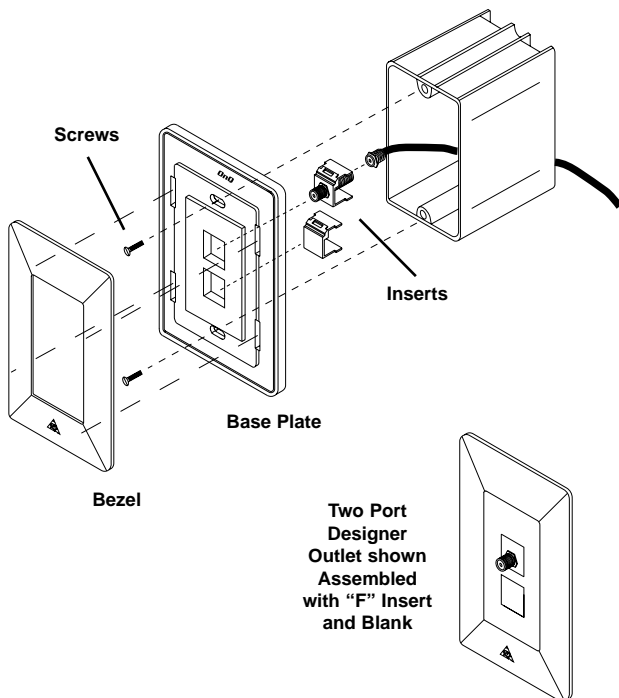
OnQ AnyPort® designer outlets provide access to video, audio, telephone and data services.

AnyPort designer outlets consist of two pieces; the base plate containing from zero (0) to twelve (12) openings and a bezel that snaps onto the front of the base plate.



INSTALLATION

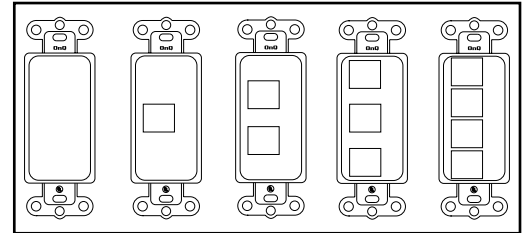
1. Run cables to the location of the outlet. Attach jacks and connector inserts to the cables as described in the instructions that accompany these items.
2. To assist in correctly orienting the outlet plate, the word "UP" has been molded into the rear of the plate.
3. Insert the connector inserts and jacks into the outlet plate. Ensure these items are oriented properly.
NOTE: Attempting to install the jacks and connector inserts incorrectly may damage the outlet plate.
Use "blank" inserts (OnQ 364294) to fill unused openings.
4. Once all connector inserts and jacks are snapped into the outlet plate, mount the outlet plate to the wall box or bracket using the two (2) mounting screws provided.
NOTE: Use caution when placing cable slack back into the wall.
5. Attach bezel to base plate to complete the installation procedure.



DECORATOR OUTLETS

OnQ AnyPort® decorator outlets provide access to video, audio, telephone and data services.

AnyPort decorator outlets contain from zero (0) to four (4) openings.



INSTALLATION

1. Run cables to the location of the outlet. Attach jacks and connector inserts to the cables as described in the instructions that accompany these items.
2. To assist in correctly orienting the outlet, the word "UP" has been molded into the rear of the outlet.
3. Insert the connector inserts and jacks into the outlet. Ensure these items are oriented properly.
NOTE: Attempting to install the jacks and connector inserts incorrectly may damage the outlet.
Use "blank" inserts (OnQ 364294) to fill the unused openings.
4. Once all connector inserts and jacks are snapped into the outlet, mount the outlet to the wall box or bracket using the two (2) mounting screws provided.
NOTE: Use caution when placing cable slack back into the wall.
5. Install a decorator style outlet cover plate (not included) to complete the installation procedure.

