

1. Introduction

The On-Q CADDX Mounting Plates are to be used with CADDX Security Systems. The mounting plates can be installed in any On-Q Style Service Center Enclosure.

2. Description

The CADDX Networx Series Mounting Plate (P/N 364516-01) is a full-width plate that supports CADDX NX-4, NX-6 & NX-8 security controllers (see **Figure 1**). The CADDX NX216E Mounting Plate (P/N 364785-01) is a half-width plate that supports NX216E Zone expander modules (see **Figure 2**).

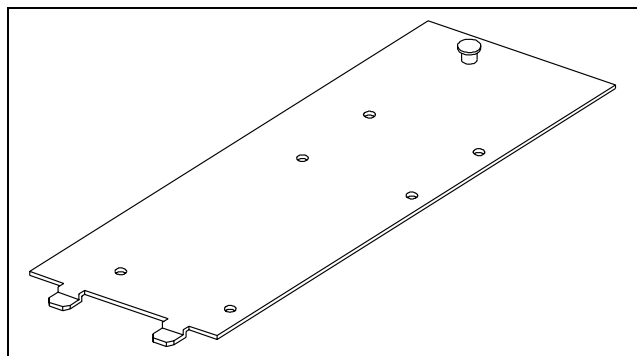


Figure 1

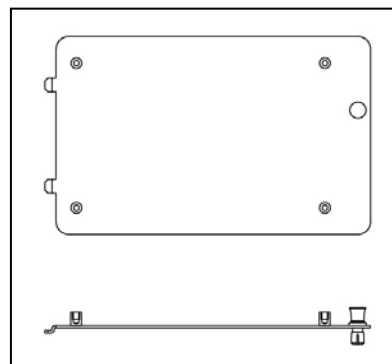


Figure 2

3. Installation

Mounting in On-Q Enclosure (refer to **Figure 3**):

- A. Align tabs on the mounting plate with slots in the enclosure.
- B. Insert tabs by angling mounting plate away from the back of the enclosure.
- C. Rotate the mounting plate and insert fasteners on mounting plate into corresponding holes on rail of the enclosure. (Plunger must be in a pulled position for fastener to engage hole).
- D. Push plunger in to lock mounting plate in place. Pull on plate to ensure it is locked properly in place.

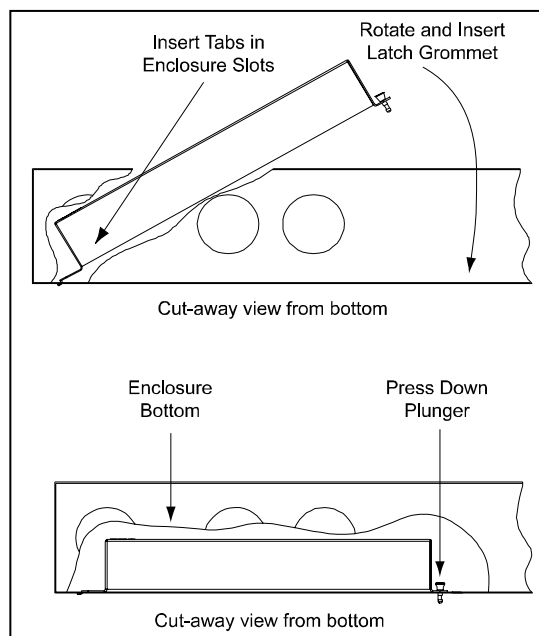


Figure 3