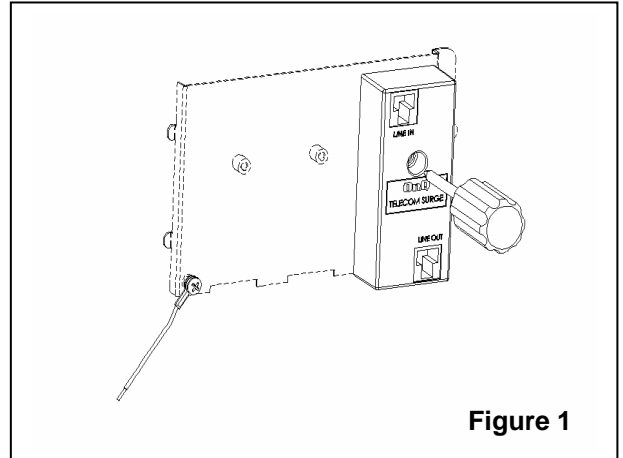


### 1. Introduction

The On-Q/Legrand Telecom Surge Conditioning Unit, PN 364600-01, provides surge protection for up to four (4) incoming telecom service lines. The Telecom Surge Conditioning Unit mounts to an On-Q Telecom Service Conditioning Module, PN 364599-01, which can be mounted into any On-Q style enclosure. See **Figure 1**.

### 2. Description

The Telecom Surge Conditioning Unit is a green unit with a captive mounting screw for mounting to the Service Conditioning Module. The unit has two (2) RJ45 connectors for interfacing to the telephone distribution network. The unit is packaged with a six inch Cat 5e Jumper (PN 363201-27).



**Figure 1**

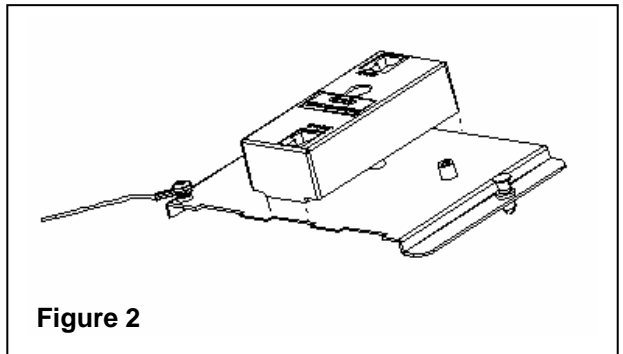
### 3. Installation

#### A. Mounting the Unit to the Service Conditioning Module (see **Figure 2**)

1. Install the Telecom Service Conditioning Module in Enclosure per instructions included with module (ref. IS-0204).

**Note: The Enclosure and module must be properly installed and grounded for Surge Conditioning Units to function.**

2. Position the unit on the module by aligning the tab on the housing with one of the three (3) recess cuts on the module.



**Figure 2**

**Note: Up to three (3) Conditioning Units may be installed, in series, on a single module. It is recommended that the Surge Unit be the first unit in series from the incoming service.**

3. Align the captive screw with the appropriate threaded insert. Use a Philips screwdriver to attach unit to the module.

#### B. Connecting to the Telecom Network (see **Figure 3**)

1. Incoming Service is to be terminated into an RJ45 plug. This may be through an EZ-RJ45 Modular Plug, PN 364554-01, being terminated to the incoming service cable; or, by using a Cat 5e Jumper cable from the service, terminated to an RJ45 interface, such as the On-Q Network Interface, PN 363486-01.
2. Connect the Line Out to the Telephone Distribution System or the next Conditioning Unit in series. Use the Cat 5e Jumper provided.

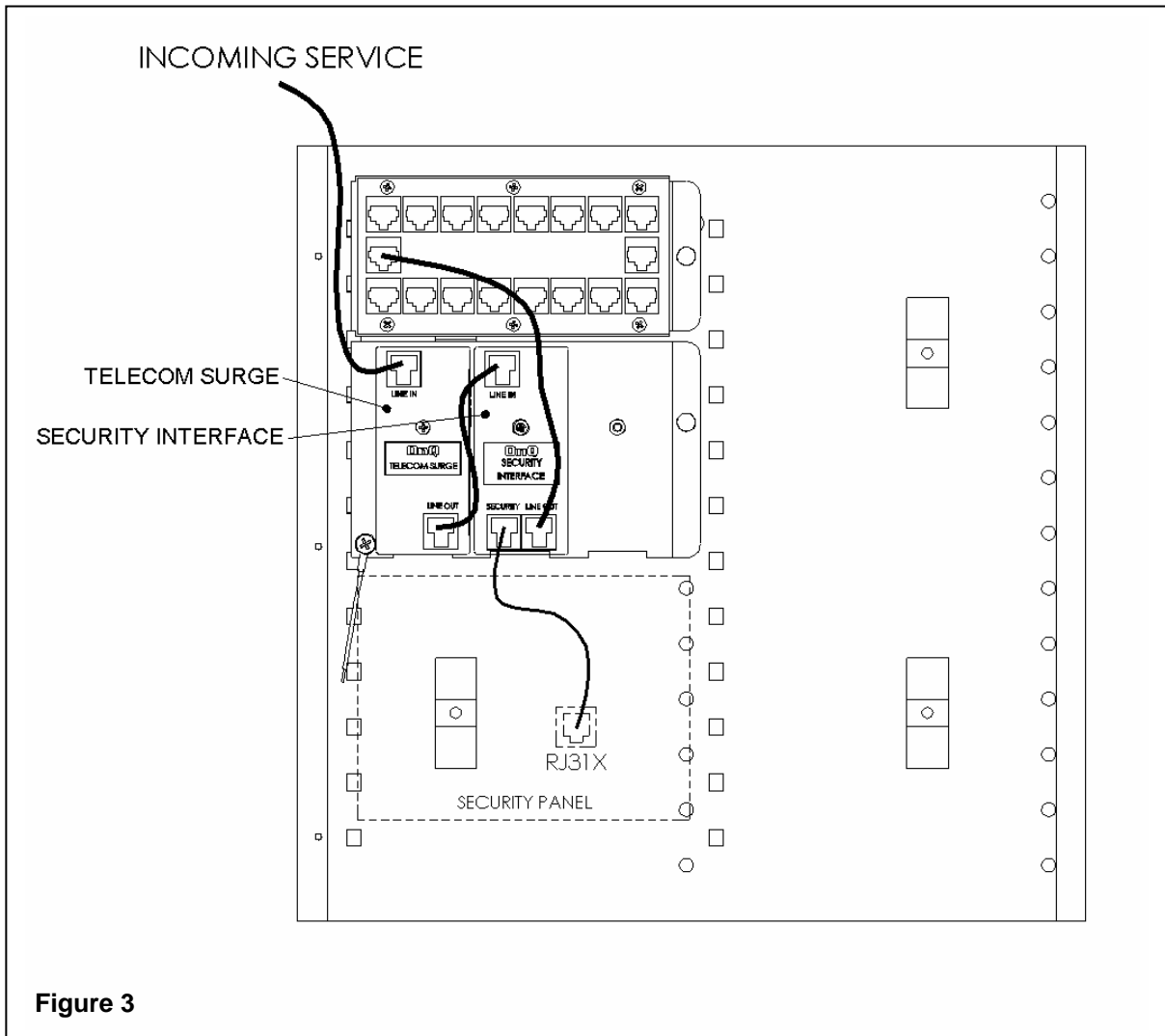


Figure 3