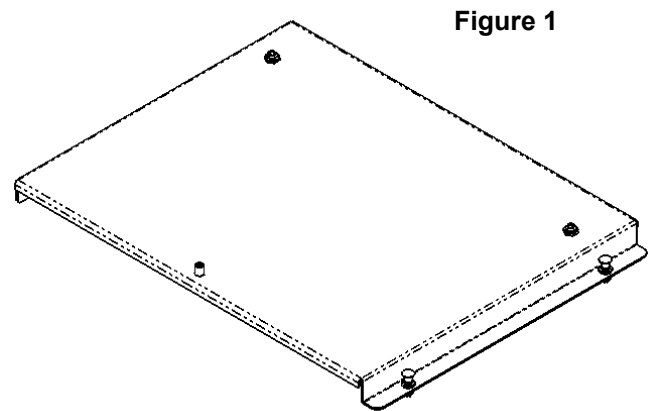


## 1. Introduction

The Bosch 9000 Series Controller Mounting Plate (P/N 364639-01) was designed for use with the Bosch 9000 Series Controllers. This mounting plate can be installed into any OnQ Premium Line or Plus Series Service Center Enclosure. These Service Centers are Underwriters Laboratories, Inc. (UL) listed as "Household Fire and Burglary Warning System Control Unit Enclosure". As such, any manufacturer's security control unit that is UL listed as a "Household Fire and Burglary Warning System Control Unit", may be mounted within the OnQ Service Center Enclosure and still maintain its UL listing status. The Bosch 9000 Series Controller Units are purchased separately.

## 2. Description

The Bosch 9000 Series Controller Mounting Plate is a full width module (10" H x 13" W), which is mounted with the standard OnQ tab and plunger arrangement. The mounting plate is black powder coated steel (See **Figure 1**). The mounting plate comes with a hardware kit, which includes a screw and washer for mounting the Controller Unit.



**Figure 1**

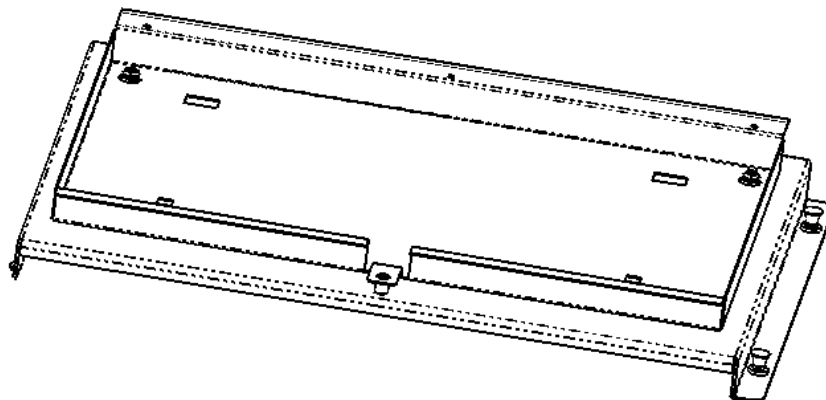
## 3. Installation

(Note: Use care in handling the Controller Unit. Some units are ESD sensitive. Refer to the Controller instructions for proper handling).

Mount the Bosch 9000 Series Controller Unit using the included hardware.

- Position the Controller Unit so the bottom plates "keyhole" slots are positioned over the top two PEM fasteners.
- Hook the Controller Unit onto the PEM fasteners by pulling the Controller Unit down until the bottom plate of the Controller Unit is "seated".
- Secure the Controller Unit to the plate with a screw and washer through the "tab" located at the bottom of the Controller Unit (see **Figure 2**) (Controller's bottom plate only shown).

**Figure 2**



- D. Mounting into an OnQ Enclosure (see **Figure 3**) (Enclosure bottom end cap removed).
1. Select a location in the enclosure to allow easy access of input and output cables. Leave enough room above and below the module for any connector cable dressing.
  2. Align the tabs on the plate with the slots in the enclosure.
  3. Insert the tabs by angling the plate away from the back of the enclosure.
  4. Rotate the plate and insert the fasteners on the plate into the corresponding holes on the rail of the enclosure. (Plunger must be in a pulled out position for the fastener to engage the hole)
  5. Push the plunger in to lock the plate in place. Pull on the plate to ensure the plate is locked properly in place.
- E. Wire the Bosch 9000 Series Controller Unit per installation instructions.

**Figure 3**

