

INSTRUCTION/INSTALLATION SHEET

SURGE PROTECTED OUTLET KIT

IS-0291 REV. 0

1. Introduction

The On-Q Home Surge Protected Outlet Kit, P/N 364569-02, provides the option of mounting a surge protected 120VAC outlet into an On-Q Home Service Center Enclosure. The kit consists of a surge protected duplex receptacle outlet, metal receptacle box, cover plate, and 4 mounting screws (see *Figure 1*).

2. Description

The On-Q Home Surge Protected Outlet Kit protects connected loads from potentially damaging voltage spikes (surges) caused by lightning strikes, or the switching of inductive loads (motor loads), as well as from RFI (radio frequency interference). It cannot provide protection in the rare event of a direct lightning strike. An audible signal will alert you to the failure of the surge protection component. If audible signal is activated, the device has received power surges beyond its capacity and is no longer functioning as a surge protector. The alarm can be deactivated by unplugging the Surge Suppressor Module (see *Figure 2*). Replace with a new On-Q Home Surge Suppressor Module, P/N 364767-01, to restore surge protection.

3. Installation

- A. Remove knockout metal on bottom right of enclosure (see *Figure 3*).
- B. Insert metal receptacle box and secure with sheet metal screws.
- C. Route NM cable to receptacle box and secure.
- D. Connect duplex outlet and secure to metal receptacle box.
- E. Install outlet face plate.

Surge Protected Outlet Kit
P/N 364569-02

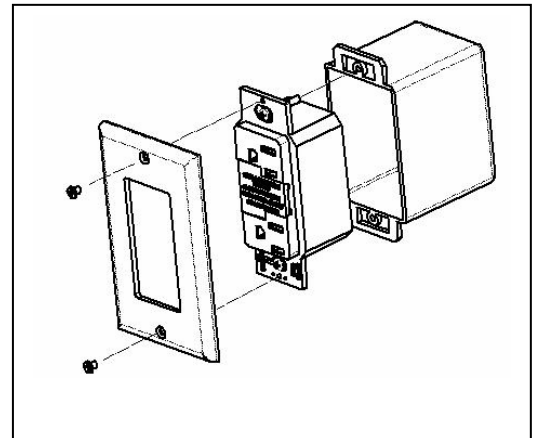


Figure 1

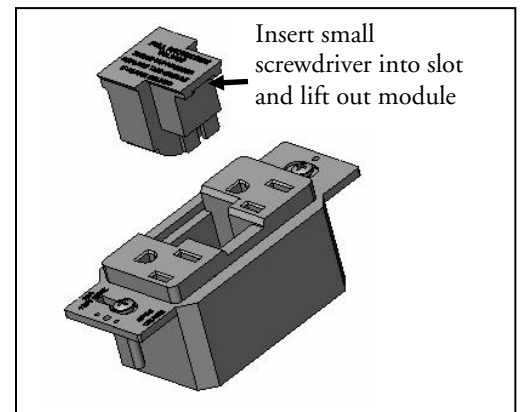


Figure 2

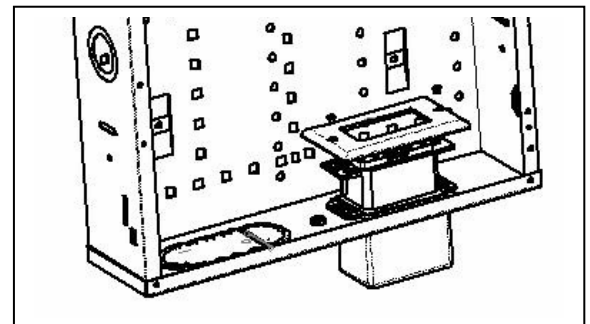


Figure 3