

Cat 5 Mini-Camera

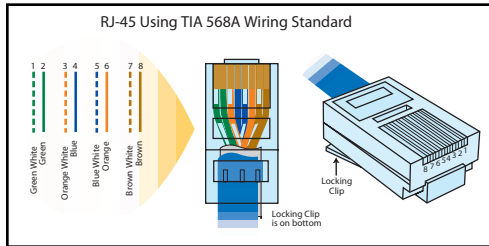
Installation Notes

Rough-In

- The rough-in for this product would consist of simply running a single Cat 5 line to a mounted single gang box in the location of your choice.

Installation (Indoor Only)

- Locate the recessed frame and mini-camera mounting bracket.
- Using the included bolt and washer, attach the mini-camera mounting bracket to the recessed frame as shown in Figure 1. Tighten the screw firmly to prevent the bracket from moving out of the desired position.
- Attach the mini-camera to the mini-camera mounting bracket with the two mounting screws using a small phillips head screwdriver as shown in Figure 2. Tighten firmly enough to prevent the camera from moving out of the desired position.
- Terminate the roughed in Cat 5 cable with an RJ-45 connector, using the 568A color code as shown below:



- Connect the Cat 5 RJ-45 pigtail (not shown) for the mini-camera to the Cat 5 cabling from the enclosure using the included RJ-45 coupler.
- Attach the assembled recessed mounting frame to the single gang box (Figure 3)
- Insert the privacy lens into the decorator style wallplate. The lens will stay in place once the wallplate is secured to the gang box.
- Attach the wallplate to the gang box.

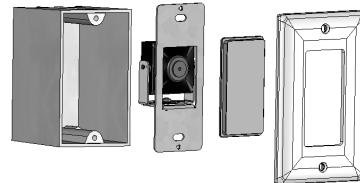


Figure 3

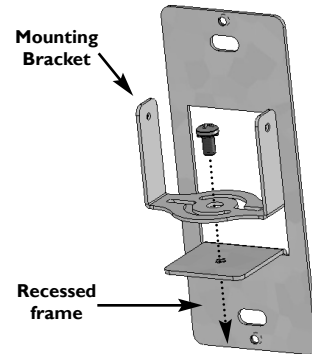


Figure 1

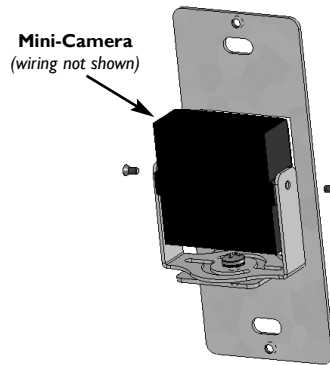


Figure 2

Cat 5 Mini-Camera

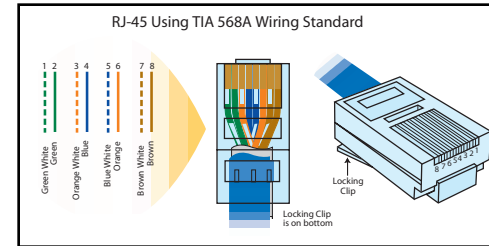
Installation Notes

Rough-In

- The rough-in for this product would consist of simply running a single Cat 5 line to a mounted single gang box in the location of your choice.

Installation (Indoor Only)

- Locate the recessed frame and mini-camera mounting bracket.
- Using the included bolt and washer, attach the mini-camera mounting bracket to the recessed frame as shown in Figure 1. Tighten the screw firmly to prevent the bracket from moving out of the desired position.
- Attach the mini-camera to the mini-camera mounting bracket with the two mounting screws using a small phillips head screwdriver as shown in Figure 2. Tighten firmly enough to prevent the camera from moving out of the desired position.
- Terminate the roughed in Cat 5 cable with an RJ-45 connector, using the 568A color code as shown below:



- Connect the Cat 5 RJ-45 pigtail (not shown) for the mini-camera to the Cat 5 cabling from the enclosure using the included RJ-45 coupler.
- Attach the assembled recessed mounting frame to the single gang box (Figure 3)
- Insert the privacy lens into the decorator style wallplate. The lens will stay in place once the wallplate is secured to the gang box.
- Attach the wallplate to the gang box.

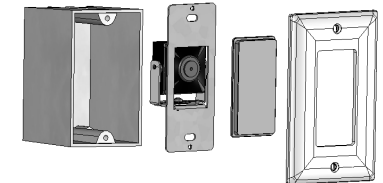


Figure 3

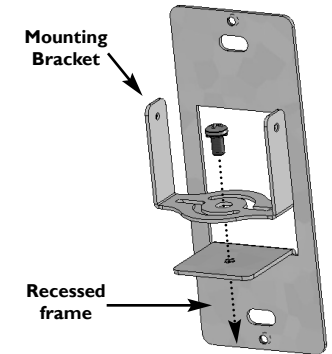


Figure 1

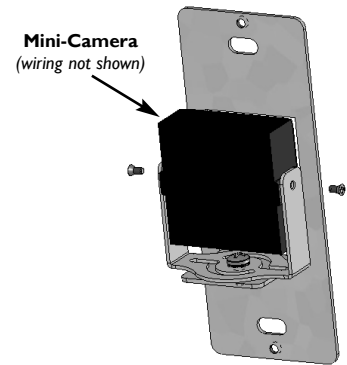


Figure 2