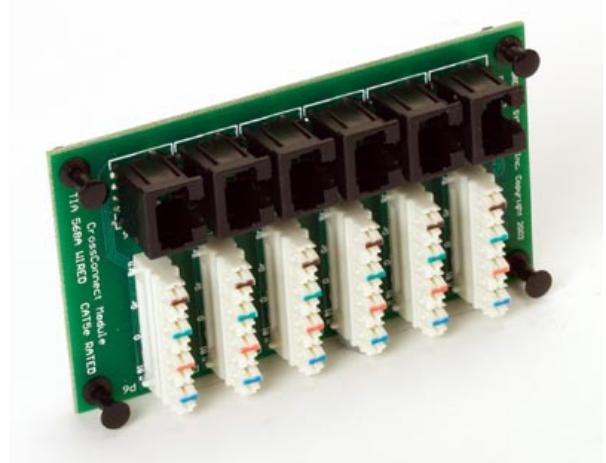


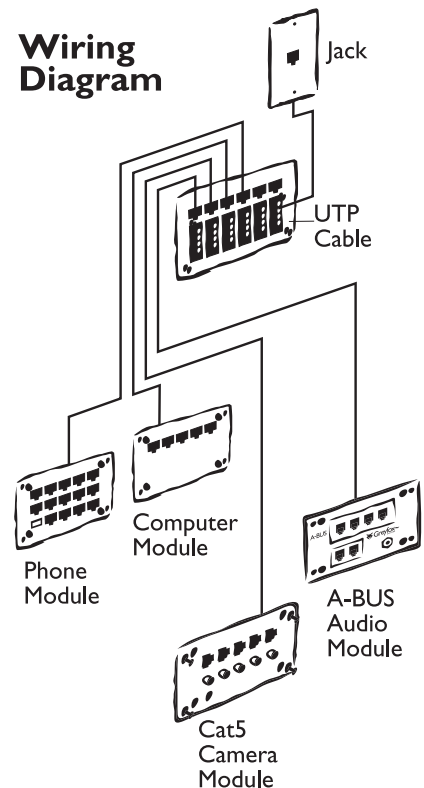
Features:

- Supports punchdown termination of up to 6 Cat5e cable runs for easy interface within the home network
- RJ45 jacks for simple line reconfiguration
- Supports high-speed Cat5e termination for computer network
- Used in conjunction with primary phone, computer, camera or audio module
- Includes telephone cross-connect cables



Technical Specifications:

- 110 style punchdown block
- Six (6) RJ45 jacks
- Cat5e rated



NOTE: Information contained herein is subject to change without notice

Technical Data Sheet

